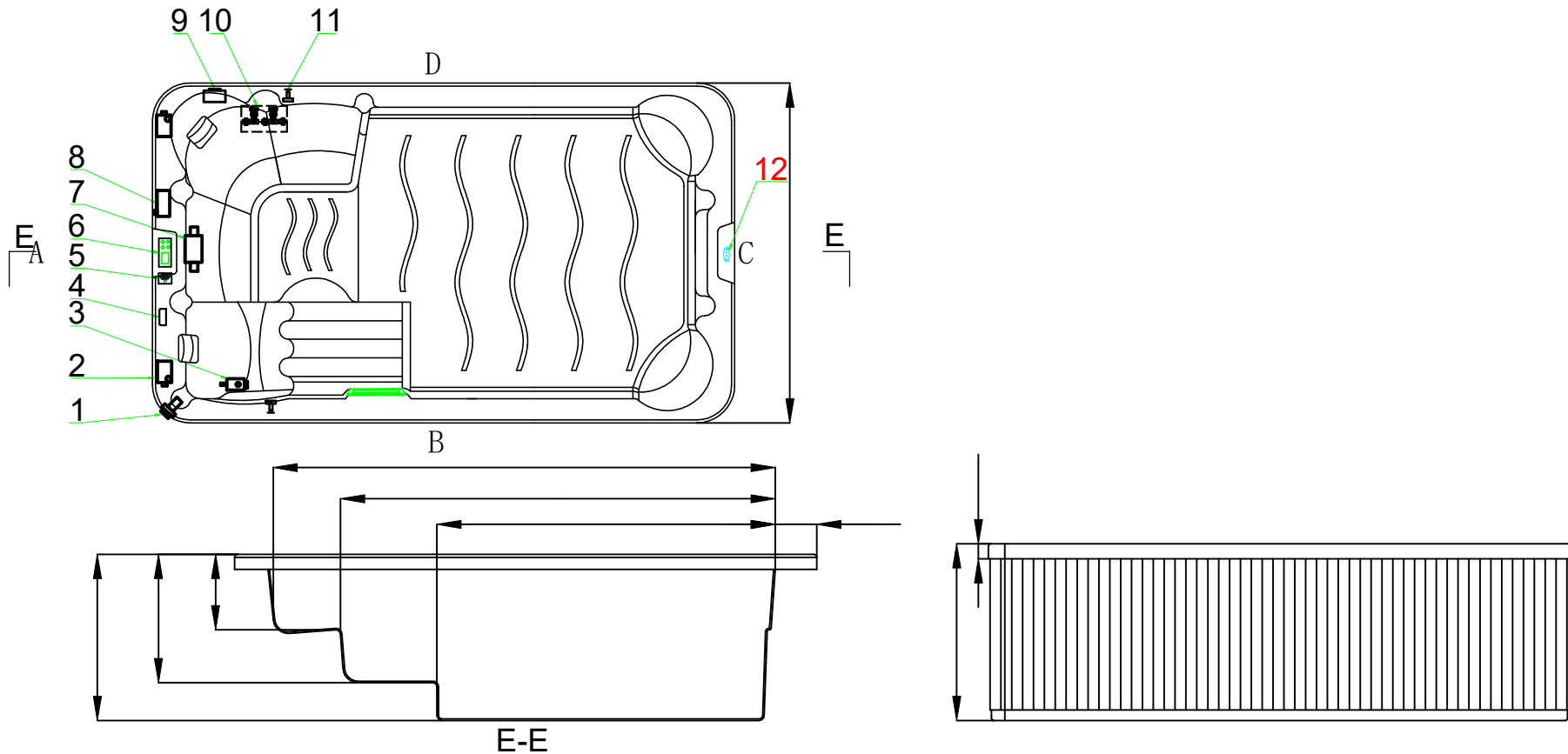


WEAL390-D

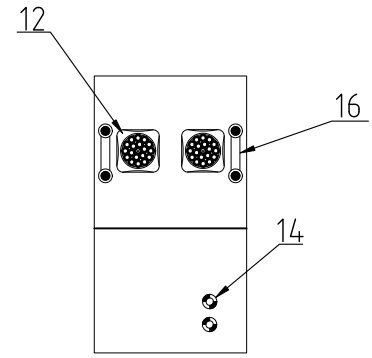
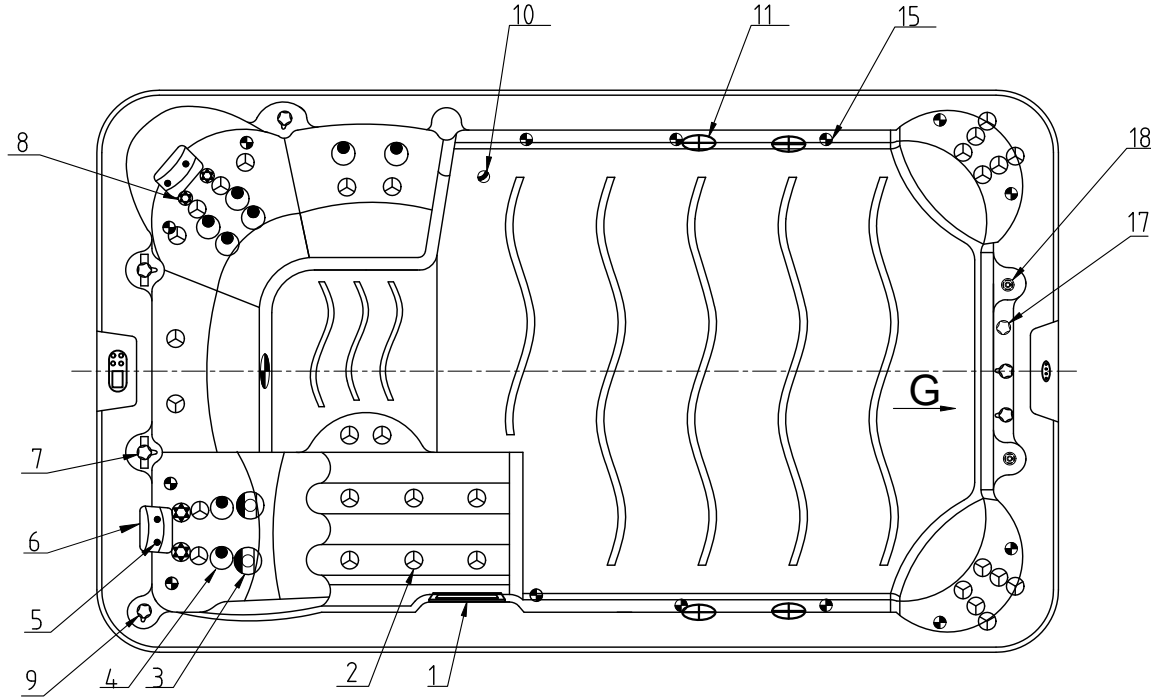
Business plan



Notes: Due to manufacturing tolerances, there could be some minor differences between the actual spa and the drawing above. If site planning is critical to such tolerances, be sure to measure your actual spa. All specifications are subject to change without notice. Some components may be optional on your spa.

12		Subsidiary Control Panel	1	pcs
11		Transducer Speaker(Optional)	2	pcs
10		Heat Pump Ready Unit (Option)	1	pcs
9		Subwoofer(Optional)	1	pcs
8		CD Ozone Generator	1	pcs
7		Control Box	1	pcs
6		Control Panel	1	pcs
5		WiFi	1	pcs
4		C.stream (Option)	1	pcs
3		Circulation Pump	1	pcs
2		3HP Single Speed Pump	2	pcs
1		Drain Valve	1	pcs
NO	ICON	DESCRIPTION	QTY	UNIT
Edition:3/2/2024				

Fitting



Version G

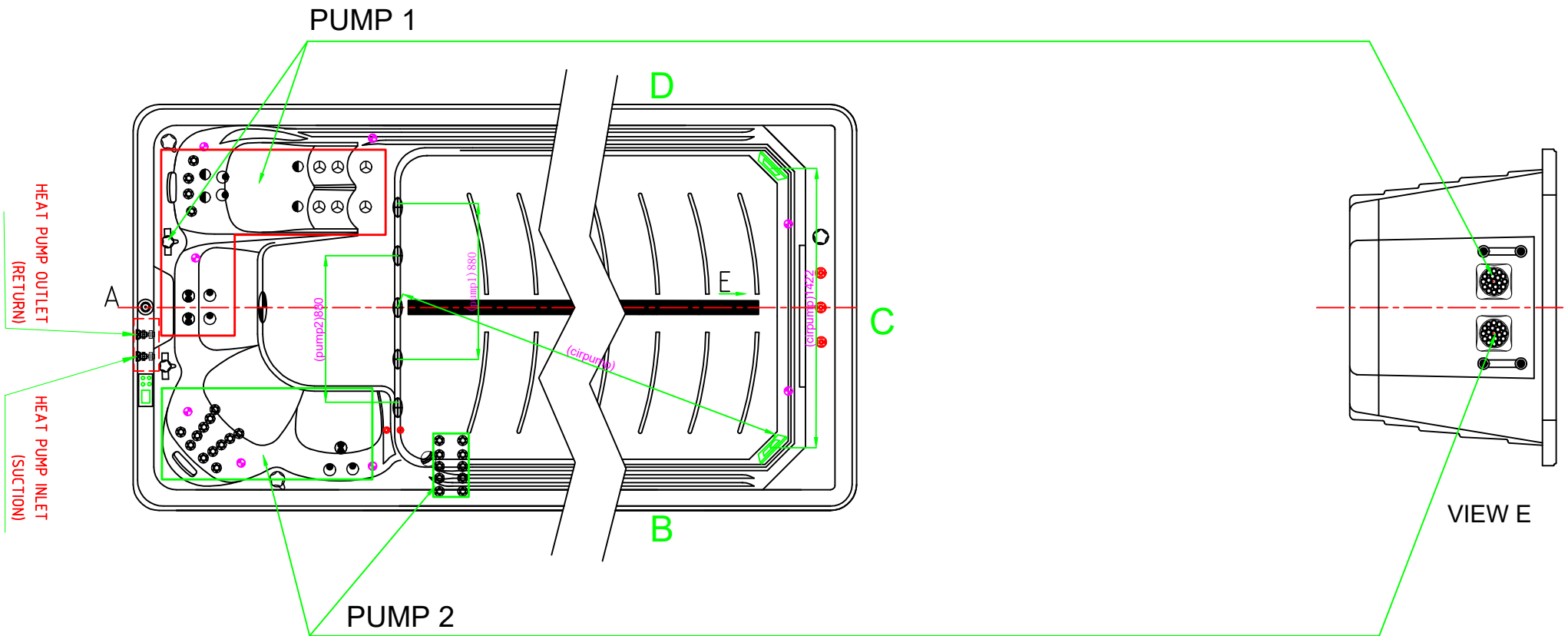
Notes: Due to manufacturing tolerances, there could be some minor differences between the actual spa and the drawing above. If site planning is critical to such tolerances, be sure to measure your actual spa. All specifications are subject to change without notice. Some components may be optional on your spa.

14		Ozone Injector	3	pcs
13		5" Light housing without Holder	1	pcs
12		Swim Jet	2	pcs
11		2"Suction (full set) - Plastic face	4	pcs
10		Stainless steel Low Drain - 3/4" Slip	1	pcs
9		1" Air Check Valve Assembly	4	pcs
8		2.5" Jet Internal-Directional	4	pcs
7		2"Water diverter valve	2	pcs
6		EVA Headrest-Trapeziform	2	pcs
5		EVA Headrest connector-female	4	pcs
4		4"Jet internal-Single pulse	8	pcs
3		5" Jet Internal-Single pulse	2	pcs
2		3"Jet internal-Directinal	30	pcs
1		Twin Cilinder Skimmer	1	pcs

18		Lifting Fountain	2	pcs
17		Water Fall Valve	1	pcs
16		Stainless steel Handrail	2	pcs
15		MINI-LED light cover	14	pcs

NO	ICON	DESCRIPTION	QTY	UNIT	NO	ICON	DESCRIPTION	QTY	UNIT
----	------	-------------	-----	------	----	------	-------------	-----	------

Therapy Assignment



Notes: Due to manufacturing tolerances, there could be some minor differences between the actual spa and the drawing above. If site planning is critical to such tolerances, be sure to measure your actual spa. All specifications are subject to change without notice. Some components may be optional on your spa.